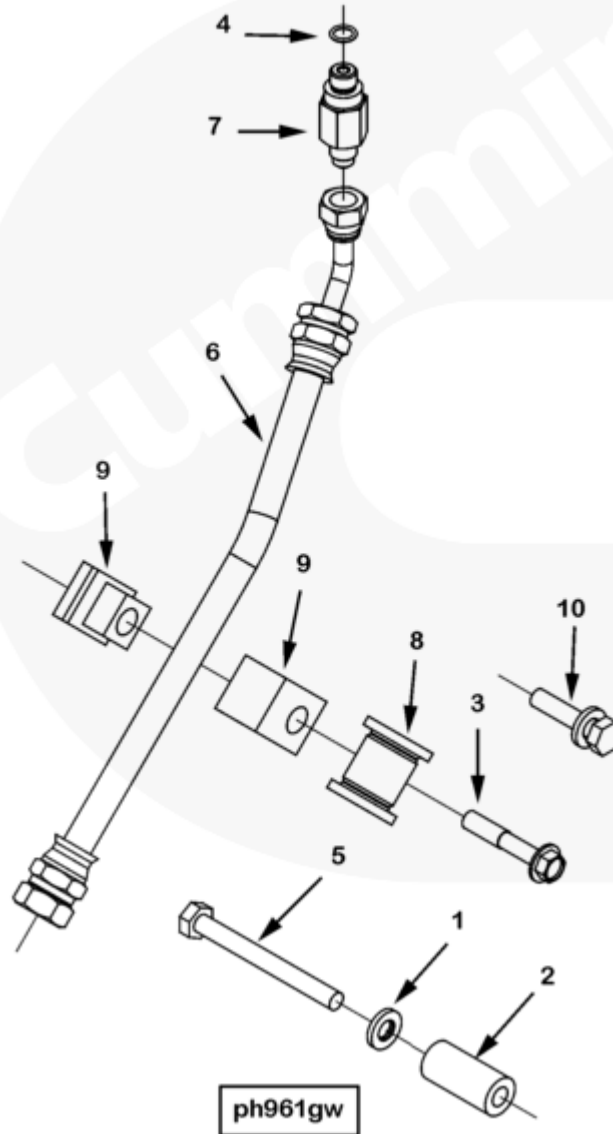




Parts Catalog - Option Detail

Electronic Parts Catalog - Option Detail				
Option	Group	Graphic	Film Card	Date
PH50020	05.06.1	ph961gw	P23	01-APR-06
Engines	QSK23 CM2250 K109, QSK23 CM500			

©Cummins Inc



[SMALL](#) | [MEDIUM](#) | [LARGE](#)

Cart	Ref No	Part Number	Part Description	Required	Remarks
<input type="button" value="View My Cart"/>					
		PH50020	Engine Control Module Plumbing		

<input type="checkbox"/>	1	3093799	Plain Washer	2	M8
<input type="checkbox"/>	2	4095696	Mounting Spacer	2	
<input type="checkbox"/>	3	4095839	Hexagon Flange Head Cap Screw	1	
<input type="checkbox"/>	4	4095897	O-Ring Seal	1	Komatsu Supplied.
<input type="checkbox"/>	5	4095934	Hexagon Head Cap Screw	2	
<input type="checkbox"/>	6	4096038	Flexible Hose	1	
<input type="checkbox"/>	7	4096039	Hose Nipple	1	
<input type="checkbox"/>	8	4096049	Wear Pad	1	
<input type="checkbox"/>	9	4096395	Hose Clamp	2	
<input type="checkbox"/>	10	4096721	Captive Washer Cap Screw	2	

© 2019 Cummins Inc., Box 3005, Columbus, IN 47202-3005 U.S.A.
Terms of Use and Disclaimers | Recommended System Requirements
Need Assistance? Please click on the Contact Us button in the top right corner of any page.